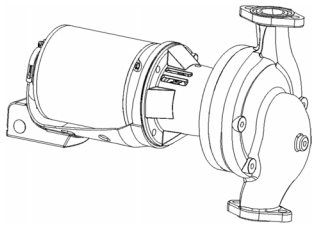


JOB:	REPRESENTATIVE:
UNIT TAG:	ORDER NO.
ENGINEER:	SUBMITTED BY:
CONTRACTOR:	APPROVED BY:
	DATE:
	DATE:
	DATE:



## 1 1/4 x 1 1/4 x 5 1/4 Series 60®

### Maintenance Free In-Line Mounted Pump

**SPECIFICATIONS**

FLOW \_\_\_\_\_ HEAD \_\_\_\_\_  
 HP \_\_\_\_\_ RPM \_\_\_\_\_  
 VOLTS \_\_\_\_\_  
 CYCLE \_\_\_\_\_ PHASE \_\_\_\_\_  
 ENCLOSURE \_\_\_\_\_  
 APPROX. WEIGHT \_\_\_\_\_  
 SPECIALS \_\_\_\_\_

**MATERIALS OF CONSTRUCTION**

BRONZE FITTED     ALL BRONZE

**FEATURES**

- MAINTENANCE FREE PUMP
- INTERNALLY SELF-FLUSHING MECHANICAL SEAL
- XLII® LUBRICATION SYSTEM
- THREE YEAR WARRANTY
- FACTORY TEST

**MAXIMUM WORKING PRESSURE**

- 175 psi (12 bar) W.P.

**TYPE OF SEAL**

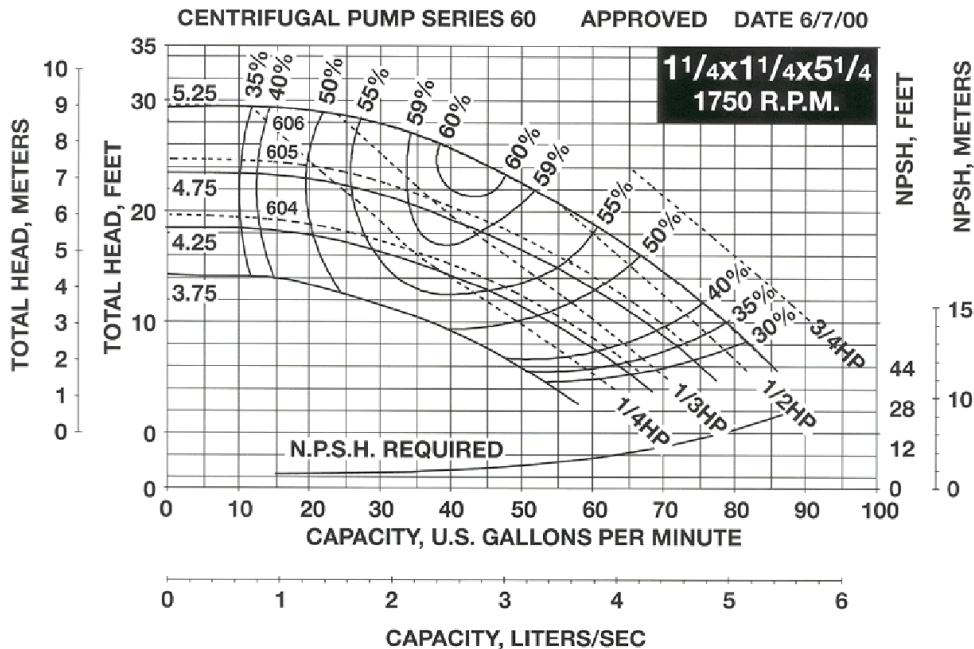
BUNA/CARBON-CERAMIC (STANDARD)  
 (-20 °F TO 225 °F)

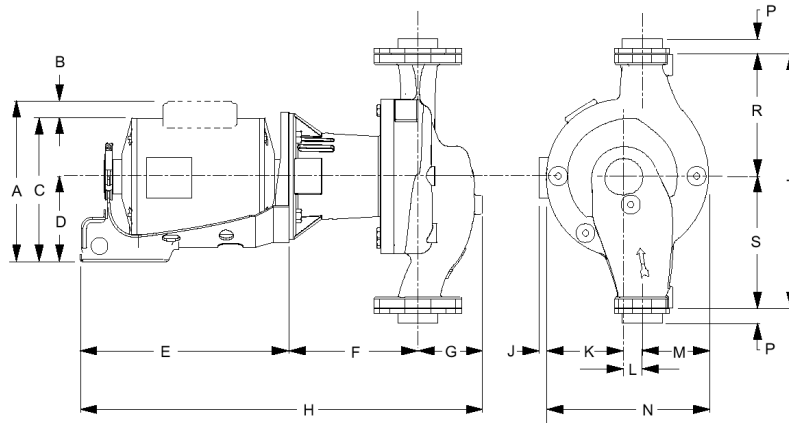
**TYPE OF SEAL**

EPT/TUNGSTEN-CARBIDE  
 (-20 °F TO 250 °F)

**TYPE OF SEAL**

VITON/CARBON-CERAMIC  
 (0 °F TO 225 °F)





SUCTION AND DISCHARGE SIZE INCHES NPT	PUMP DIMENSIONS IN INCHES (MM)									
	F	G	K	L	M	N	P	R	S	T
1-1/4	6-7/16 (164)	3-7/16 (87)	3-5/8 (92)	1-3/8 (35)	2-1/2 (64)	7-1/2 (190)	3/4 (19)	5 (127)	6 (152)	11 (279)

MAXIMUM WORKING PRESSURE 175PSI (12 BAR)

ALL MOTORS 1750 RPM

DIMENSIONS - Inches (mm)

MOTOR HP		MOTOR DIMENSIONS - INCHES (MM)					
HP	PHASE	A	B	C	D	E	H
1/4	1	10-1/8 (257)	2-1/4 (57)	7-7/8 (200)	4-3/8 (111)	10 (254)	19-7/8 (505)
1/4	3	7-7/8 (200)		7-7/8 (200)	4-3/8 (111)	10 (254)	19-7/8 (505)
1/3	1	10-1/8 (257)	2-1/4 (57)	7-7/8 (200)	4-3/8 (111)	10 (254)	19-7/8 (505)
1/3	3	7-7/8 (200)		7-7/8 (200)	4-3/8 (111)	10 (254)	19-7/8 (505)
1/2	1	10-1/8 (257)	2-1/4 (57)	7-7/8 (200)	4-3/8 (111)	11 (279)	21-1/8 (537)
1/2	3	7-7/8 (200)		7-7/8 (200)	4-3/8 (111)	11 (279)	21-1/8 (537)
3/4	1	10-1/8 (257)	2-1/4 (57)	7-7/8 (200)	4-3/8 (111)	11 (279)	21-1/8 (537)
3/4	3	7-7/8 (200)		7-7/8 (200)	4-3/8 (111)	11 (279)	21-1/8 (537)

Dimensions are subject to change. Not to be used for construction purposes unless certified.  
Includes Companion Flanges.



Bell & Gossett

Bell & Gossett  
8200 N. Austin Avenue, Morton Grove, IL 60053  
Phone (847)966-3700  
Facsimile (847)966-9052  
www.bellgossett.com

