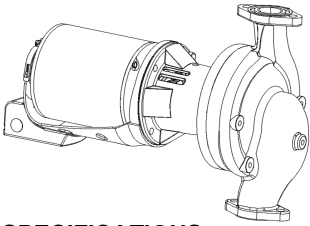


<b>JOB:</b>   <b>UNIT TAG:</b> <b>ENGINEER:</b> <b>CONTRACTOR:</b>	<b>REPRESENTATIVE:</b>   <b>ORDER NO.</b> <b>SUBMITTED BY:</b> <b>APPROVED BY:</b>	<b>DATE:</b> <b>DATE:</b> <b>DATE:</b>
---	---	--



# 1 1/2 x 1 1/2 x 5 1/4 Series 60®

## Maintenance Free In-Line Mounted Pump

**SPECIFICATIONS**

FLOW \_\_\_\_\_ HEAD \_\_\_\_\_  
 HP \_\_\_\_\_ RPM \_\_\_\_\_  
 VOLTS \_\_\_\_\_  
 CYCLE \_\_\_\_\_ PHASE \_\_\_\_\_  
 ENCLOSURE \_\_\_\_\_  
 APPROX. WEIGHT \_\_\_\_\_  
 SPECIALS \_\_\_\_\_  
 \_\_\_\_\_  
 \_\_\_\_\_

**MATERIALS OF CONSTRUCTION**

- BRONZE FITTED     ALL BRONZE

**FEATURES**

- MAINTENANCE FREE PUMP  
 INTERNALLY SELF-FLUSHING MECHANICAL SEAL  
 XLII® LUBRICATION SYSTEM  
 THREE YEAR WARRANTY  
 FACTORY TEST

**WORKING PRESSURE**

- 175 psi (12 bar) W.P.

**TYPE OF SEAL**

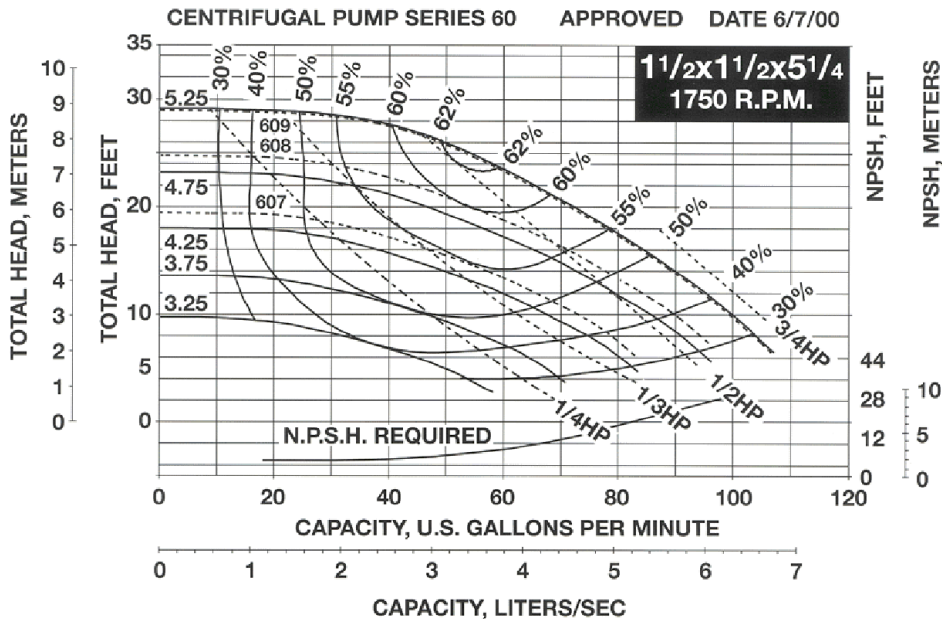
- BUNA/CARBON-CERAMIC (STANDARD)  
 (-20 °F TO 225 °F)

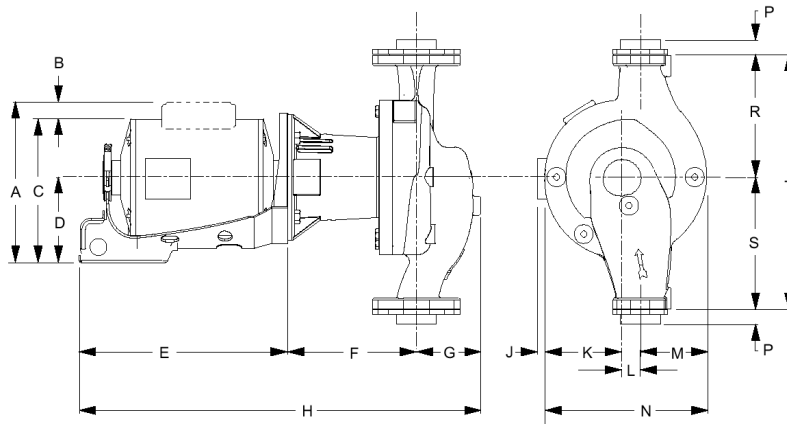
**TYPE OF SEAL**

- EPT/TUNGSTEN-CARBIDE  
 (-20 °F TO 250 °F)

**TYPE OF SEAL**

- VITON/CARBON-CERAMIC  
 (0 °F TO 225 °F)





SUCTION AND DISCHARGE SIZE INCHES NPT	PUMP DIMENSIONS IN INCHES (MM)									
	F	G	K	L	M	N	P	R	S	T
1-1/2	6-9/16 (167)	3-5/8 (92)	3-3/4 (95)	1-3/8 (35)	2-3/4 (70)	7-7/8 (200)	3/4 (19)	5 (127)	6-1/2 (165)	11-1/2 (292)

MAXIMUM WORKING PRESSURE 175PSI (12 BAR)

ALL MOTORS 1750 RPM

**DIMENSIONS – Inches (mm)**

MOTOR HP		MOTOR DIMENSIONS - INCHES (MM)					
HP	PHASE	A	B	C	D	E	H
1/4	1	10-1/8 (257)	2-1/4 (57)	7-7/8 (200)	4-3/8 (111)	10 (254)	20-3/16 (513)
1/4	3	7-7/8 (200)	-	7-7/8 (200)	4-3/8 (111)	10 (254)	20-3/16 (513)
1/3	1	10-1/8 (257)	2-1/4 (57)	7-7/8 (200)	4-3/8 (111)	10 (254)	20-7/16 (519)
1/3	3	7-7/8 (200)	-	7-7/8 (200)	4-3/8 (111)	10 (254)	20-7/16 (519)
1/2	1	10-1/8 (257)	2-1/4 (57)	7-7/8 (200)	4-3/8 (111)	11 (279)	21-7/16 (545)
1/2	3	7-7/8 (200)	-	7-7/8 (200)	4-3/8 (111)	11 (279)	21-7/16 (545)
3/4	1	10-1/8 (257)	2-1/4 (57)	7-7/8 (200)	4-3/8 (111)	11 (279)	21-7/16 (545)
3/4	3	7-7/8 (200)	-	7-7/8 (200)	4-3/8 (111)	11 (279)	21-7/16 (545)

Dimensions are subject to change. Not to be used for construction purposes unless certified.  
Includes Companion Flanges.

