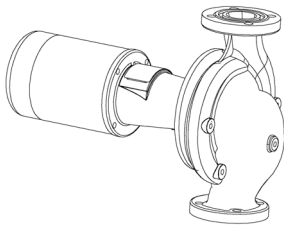


JOB: _____ UNIT TAG: _____ ENGINEER: _____ CONTRACTOR: _____	REPRESENTATIVE: _____ ORDER NO. _____ SUBMITTED BY: _____ APPROVED BY: _____ DATE: _____ DATE: _____ DATE: _____
---	--



2x2x6¹/₄ Series 60[®]

Maintenance Free In-Line Mounted Pump

SPECIFICATIONS

FLOW _____ HEAD _____
 HP _____ RPM _____
 VOLTS _____
 CYCLE _____ PHASE _____
 ENCLOSURE _____
 APPROX. WEIGHT _____
 SPECIALS _____

MATERIALS OF CONSTRUCTION

BRONZE FITTED ALL BRONZE

FEATURES

- MAINTENANCE FREE PUMP
- INTERNALLY SELF-FLUSHING MECHANICAL SEAL
- XLII[®] LUBRICATION SYSTEM
- THREE YEAR WARRANTY
- FACTORY TEST

MAXIMUM WORKING PRESSURE

- 175 psi (12 bar) W.P.

TYPE OF SEAL

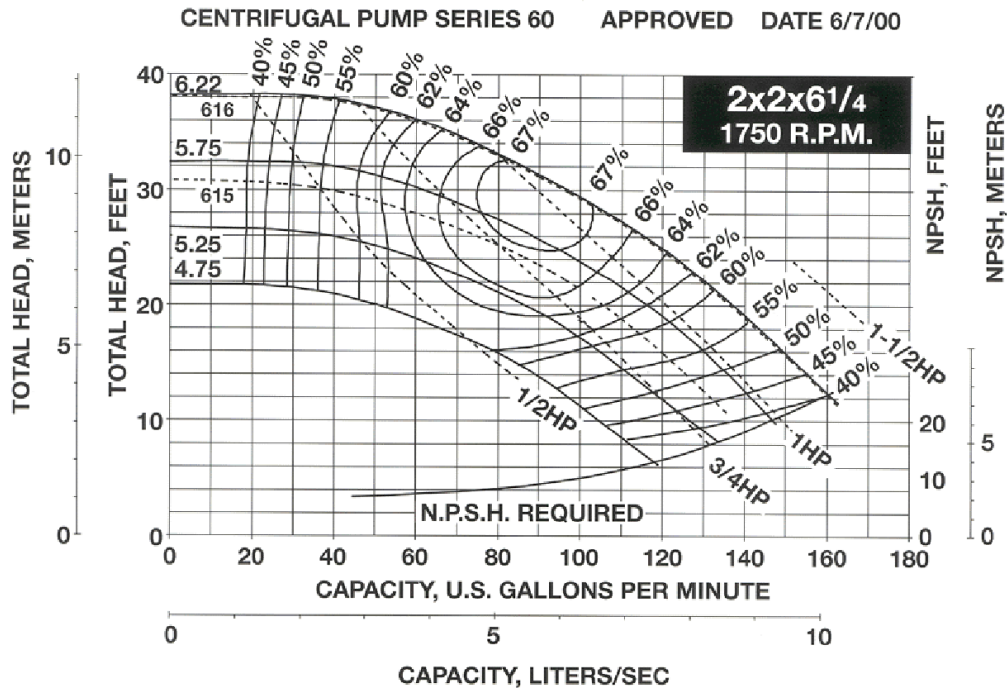
BUNA/CARBON-CERAMIC (STANDARD) (-20 °F TO 225 °F)

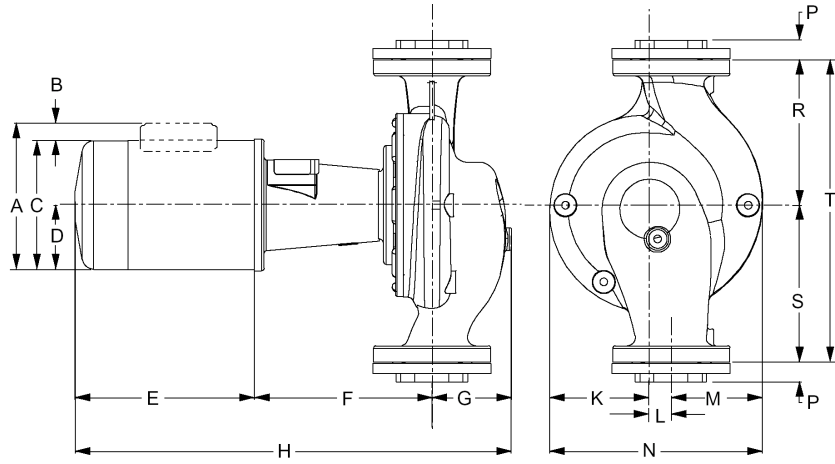
TYPE OF SEAL

EPT/TUNGSTEN-CARBIDE (-20 °F TO 250 °F)

TYPE OF SEAL

VITON/CARBON-CERAMIC (0 °F TO 225 °F)





SUCTION AND DISCHARGE SIZE INCHES NPT	PUMP DIMENSIONS IN INCHES (MM)									
	F	G	K	L	M	N	P	R	S	T
2	6-15/16 (176)	3-1/2 (89)	4-3/8 (111)	1 (25)	4 (102)	9-3/8 (238)	13/16 (21)	6-1/2 (165)	7 (178)	13-1/2 (343)

MAXIMUM WORKING PRESSURE 175PSI (12 BAR)

ALL MOTORS 1750 RPM

DIMENSIONS - Inches (mm)

MOTOR HP		MOTOR DIMENSIONS - INCHES (MM)					
HP	PHASE	A	B	C	D	E	H
1/2	1	10-1/8 (257)	2-1/4 (57)	7-7/8 (200)	4-3/8 (111)	11 (279)	21-7/16 (545)
1/2	3	7-7/8 (200)	-	7-7/8 (200)	4-3/8 (111)	11 (279)	21-7/16 (545)
3/4	1	10-1/8 (257)	2-1/4 (57)	7-7/8 (200)	4-3/8 (111)	11 (279)	21-7/16 (545)
3/4	3	7-7/8 (200)	-	7-7/8 (200)	4-3/8 (111)	11 (279)	21-7/16 (545)
1	1	10-1/8 (257)	2-1/4 (57)	7-7/8 (200)	4-3/4 (121)	9-3/4 (248)	21-7/16 (545)
1	3	7-7/8 (200)	-	7-7/8 (200)	4-3/4 (121)	9-3/4 (248)	21-7/16 (545)
1-1/2	1	8-3/4 (222)	2-1/4 (57)	6-1/2 (165)	3-1/4 (83)	10-3/4 (273)	21-3/8 (543)
1-1/2	3	6-1/2 (165)	-	6-1/2 (165)	3-1/4 (83)	10-3/4 (273)	21-3/8 (543)

Dimensions are subject to change. Not to be used for construction purposes unless certified.
Includes Companion Flanges.



Bell & Gossett

Bell & Gossett
8200 N. Austin Avenue, Morton Grove, IL 60053
Phone (847)966-3700
Facsimile (847)966-9052
www.bellgossett.com

