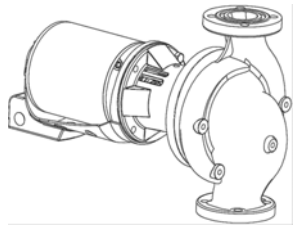


<b>JOB:</b>   <b>UNIT TAG:</b> <b>ENGINEER:</b> <b>CONTRACTOR:</b>	<b>REPRESENTATIVE:</b>   <b>ORDER NO.:</b> <b>SUBMITTED BY:</b> <b>APPROVED BY:</b>	<b>DATE:</b> <b>DATE:</b> <b>DATE:</b>
---	--	--



## 3x3x5<sup>1</sup>/<sub>4</sub> Series 60® Maintenance Free In-Line Mounted Pump

**SPECIFICATIONS**

FLOW \_\_\_\_\_ HEAD \_\_\_\_\_  
 HP \_\_\_\_\_ RPM \_\_\_\_\_  
 VOLTS \_\_\_\_\_  
 CYCLE \_\_\_\_\_ PHASE \_\_\_\_\_  
 ENCLOSURE \_\_\_\_\_  
 APPROX. WEIGHT \_\_\_\_\_  
 SPECIALS \_\_\_\_\_  
 \_\_\_\_\_  
 \_\_\_\_\_

**MATERIALS OF CONSTRUCTION**

BRONZE FITTED     ALL BRONZE

**FEATURES**

- MAINTENANCE FREE PUMP
- INTERNALLY SELF-FLUSHING MECHANICAL SEAL
- XLII® LUBRICATION SYSTEM
- THREE YEAR WARRANTY
- FACTORY TEST

**WORKING PRESSURE**

- 175 psi (12 bar) W.P.

**TYPE OF SEAL**

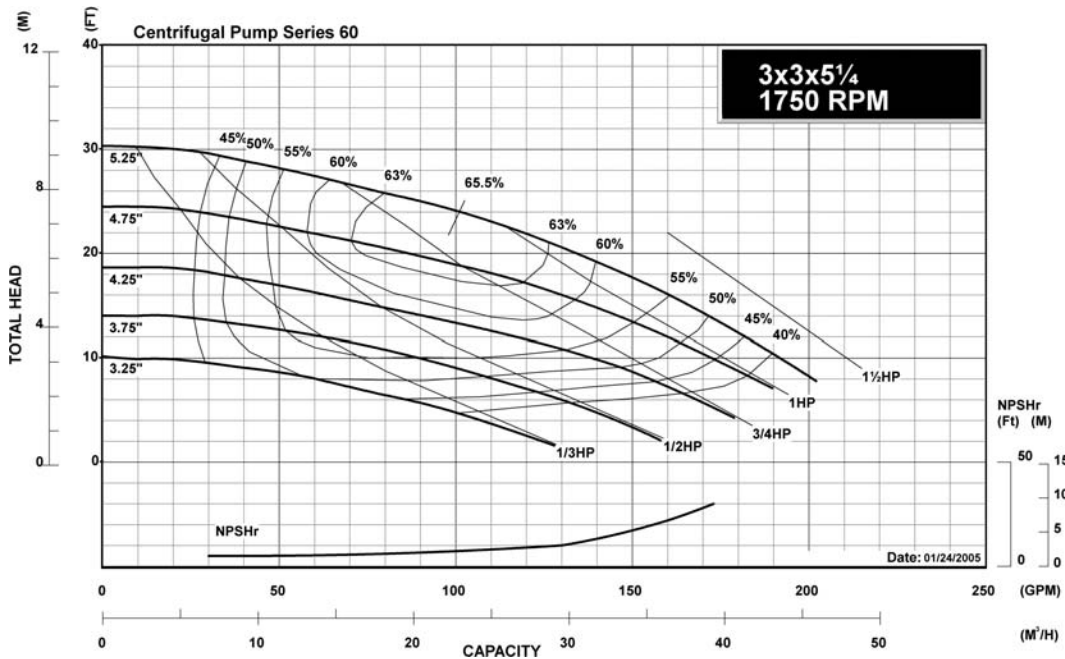
BUNA/CARBON-CERAMIC (STANDARD)  
 (-20 °F TO 225 °F)

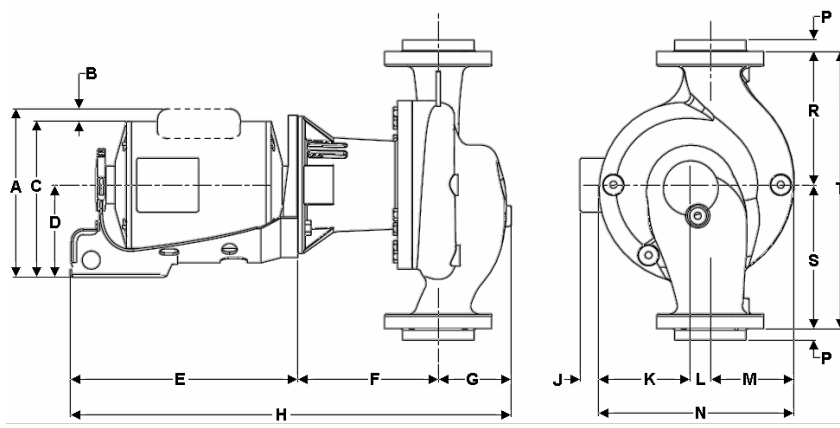
**TYPE OF SEAL**

EPT/TUNGSTEN-CARBIDE  
 (-20 °F TO 250 °F)

**TYPE OF SEAL**

VITON/CARBON-CERAMIC  
 (0 °F TO 225 °F)





SUCTION AND DISCHARGE SIZE INCHES NPT	PUMP DIMENSIONS IN INCHES (MM)									
	F	G	K	L	M	N	P	R	S	T
3	6-11/16 (170)	3-1/2 (89)	3-3/4 (95)	1-3/8 (35)	2-7/8 (73)	8 (203)	1-1/16 (27)	5-3/4 (146)	6-1/4 (159)	12 (305)

MAXIMUM WORKING PRESSURE 175PSI (12 BAR)

ALL MOTORS 1750 RPM

DIMENSIONS - Inches (mm)

MOTOR HP		MOTOR DIMENSIONS - INCHES (MM)					
HP	PHASE	A	B	C	D	E	H
1/3	1	10-1/8 (257)	2-1/4 (57)	7-7/8 (200)	4-3/8 (111)	10 (254)	20-7/16 (520)
1/3	3	7-7/8 (200)	-	7-7/8 (200)	4-3/8 (111)	10 (254)	20-7/16 (520)
1/2	1	10-1/8 (257)	2-1/4 (57)	7-7/8 (200)	4-3/8 (111)	11 (279)	20-7/16 (520)
1/2	3	7-7/8 (200)	-	7-7/8 (200)	4-3/8 (111)	11 (279)	20-7/16 (520)
3/4	1	10-1/8 (257)	2-1/4 (57)	7-7/8 (200)	4-3/8 (111)	11 (279)	20-7/16 (520)
3/4	3	7-7/8 (200)	-	7-7/8 (200)	4-3/8 (111)	11 (279)	20-7/16 (520)
1	1	10-1/8 (257)	2-1/4 (57)	7-7/8 (200)	4-3/8 (111)	11 (279)	23-3/8 (594)
1	3	7-7/8 (200)	-	7-7/8 (200)	4-3/8 (111)	11 (279)	23-3/8 (594)
1-1/2	1	8-3/4 (222)	2-1/4 (57)	6-1/2 (165)	3-1/4 (83)	10-3/4 (273)	21-1/8 (536)
1-1/2	3	6-1/2 (165)	-	6-1/2 (165)	3-1/4 (83)	10-3/4 (273)	21-1/8 (536)

Dimensions are subject to change. Not to be used for construction purposes unless certified.  
Includes Companion Flanges.



Bell & Gossett

Bell & Gossett  
8200 N. Austin Avenue  
Morton Grove, IL 60053  
Phone (847)966-3700  
Facsimile (847)966-9052  
www.bellgossett.com

